

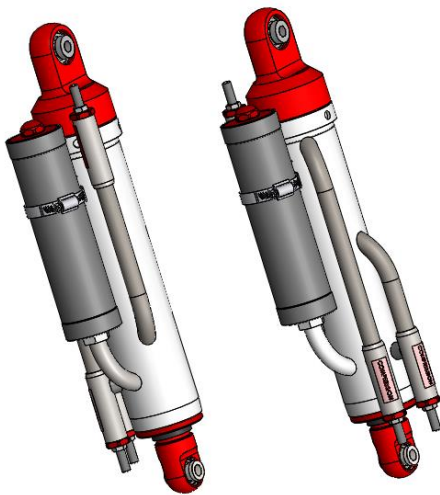


191 Granite St, Corona, CA 92879
Phone # 888-901-7693
afepower.com/swayaway

2010-2014 Ford F-150 Raptor Rear Shock Installation

Parts List:

-2 Sway-A-Way Shocks



Tool List

- 15mm socket (stock shock bolt)
- 18mm wrench or socket (stock shock nut)
- Jack and jack stands
- Impact wrench (optional)
- Safety glasses

Removal and Installation Procedure for
2010-2014 Ford F150 Raptor Rear
(Shocks are already charged with Nitrogen)

1. Park the vehicle on a level concrete surface where it is safe to work on your vehicle.
2. Lock and center the steering wheel.
3. Place blocks in front and behind the rear tires so as to keep the vehicle from moving forwards or backwards.
4. Using a jack lift the rear of the vehicle and support the vehicle using jack stands. Be sure to place the jack and jack stands securely on the frame near the rear of the vehicle. After placing the jack stands slowly lower the jack and remove the jack so that the rear suspension can hang freely. Remember to be alert and cautious when working under a vehicle.
5. Using a **15mm** wrench or socket and a **18mm** wrench or socket, remove the two bolts from the top and bottom of the OEM shock. Save the nuts and bolts, for use with your new Sway-A-Way shocks.



- Using the stock nuts and bolts, install your new shocks with the bottom eyelet first and the upper eyelet second.



Make sure that **COMPRESSION** adjustment tubes are facing the tires (away from the vehicle) Picture is of left side.

- Using a **15mm** wrench or socket and a **18mm** wrench or socket, tighten the upper and lower bolts to 50 ft-lbs.





8. Lift the vehicle, remove the jack-stands and lower the vehicle back on the ground.
9. The installation is complete. Drive the vehicle for 50 miles and re-torque nuts and bolts back to 50 ft-lbs.

Compression and Rebound Adjustments

- Compression controls how fast the wheels travel up...turning the screw clockwise will close off the port and make the wheels travel up slower, turning the screw counter-clockwise will open up the port and allow for the wheel to travel up faster.
- Rebound controls how fast the wheels travel down...turning the screw clockwise will close off the port and make the wheels travel down slower, turning the screw counter-clockwise will open up the port and allow for the wheel to travel down faster.