

Installation Instructions

Nissan Pick-Up

Part Numbers:
75186
44148
87491
75066 UHAUL

**Do Not Exceed Lower of Towing Vehicle
 Manufacturer's Rating or**

Equipment Required:

Fastener Kit: F75186

Wrenches: 3/4"

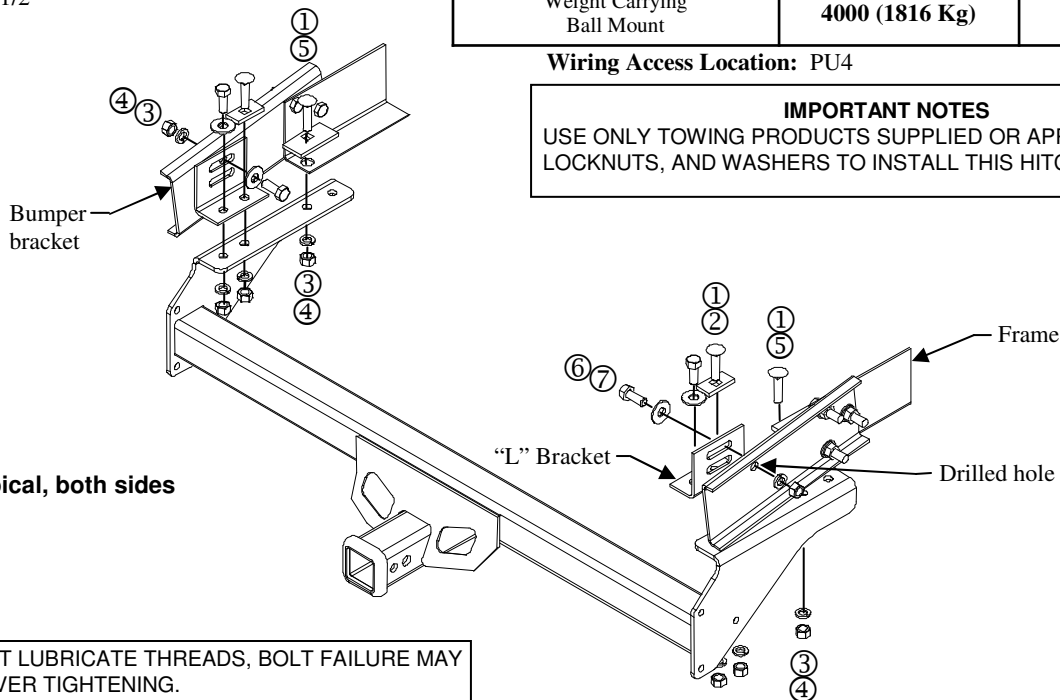
Drill Bits: 1/2"

Hitch type	Max Gross Trailer WT (LB)	Max Tongue WT (LB)
Weight Distributing	5000 (2270 Kg)	550 (250 Kg)
Weight Carrying Ball Mount	4000 (1816 Kg)	400 (182 Kg)

Wiring Access Location: PU4

IMPORTANT NOTES

USE ONLY TOWING PRODUCTS SUPPLIED OR APPROVED BOLTS, LOCKNUTS, AND WASHERS TO INSTALL THIS HITCH



Note:
Fasteners typical, both sides

WARNING: DO NOT LUBRICATE THREADS, BOLT FAILURE MAY OCCUR DUE TO OVER TIGHTENING.
WARNING: DO NOT DRILL OR WELD TO THIS HITCH.

①	Qty. (4)	Carriage Bolt 1/2-13 X 2.00	⑤	Qty. (2)	Block .25 X 1.500 X 3.00
②	Qty. (2)	Block .25 X 1.00 X 2.00	⑥	Qty. (4)	Bolt 1/2-13 X 1.25
③	Qty. (8)	Lock Washer 1/2"	⑦	Qty. (4)	Conical Washer 1/2"
④	Qty. (8)	Hex Nut 1/2-13	⑧	Qty. (2)	"L" Bracket

MODELS WITH 75" BED USE THIS DIAGRAM (See second page for models with 56" bed.)

1. Remove the bolt from the bottom of the frame on both sides of the vehicle. Insert 1/2" carriage bolt and large bolt plate through large rear hole in the frame. Repeat for the other side.
2. Lift the hitch up to frame with the carriage bolts going down through the second hole from the forward end of hitch bracket. Install 1/2" lock washers and nuts on the bolts. See Diagram. Hand tighten fasteners.
3. Attach the "L" brackets to hitch brackets using the 1/2" carriage bolts with small bolt plates and the 1/2" hex bolts with 1/2" conical washers into the "L" brackets as shown. Hold the hitch level. Using one of the obround holes in the "L" bracket as a guide drill a 1/2" hole into the bumper bracket. Install 1/2" hex bolt, serrated washer, lock washer, and nut. (Both sides)

Tighten all 1/2" fasteners with torque wrench to 70 Lb.-Ft. (102 N*M)

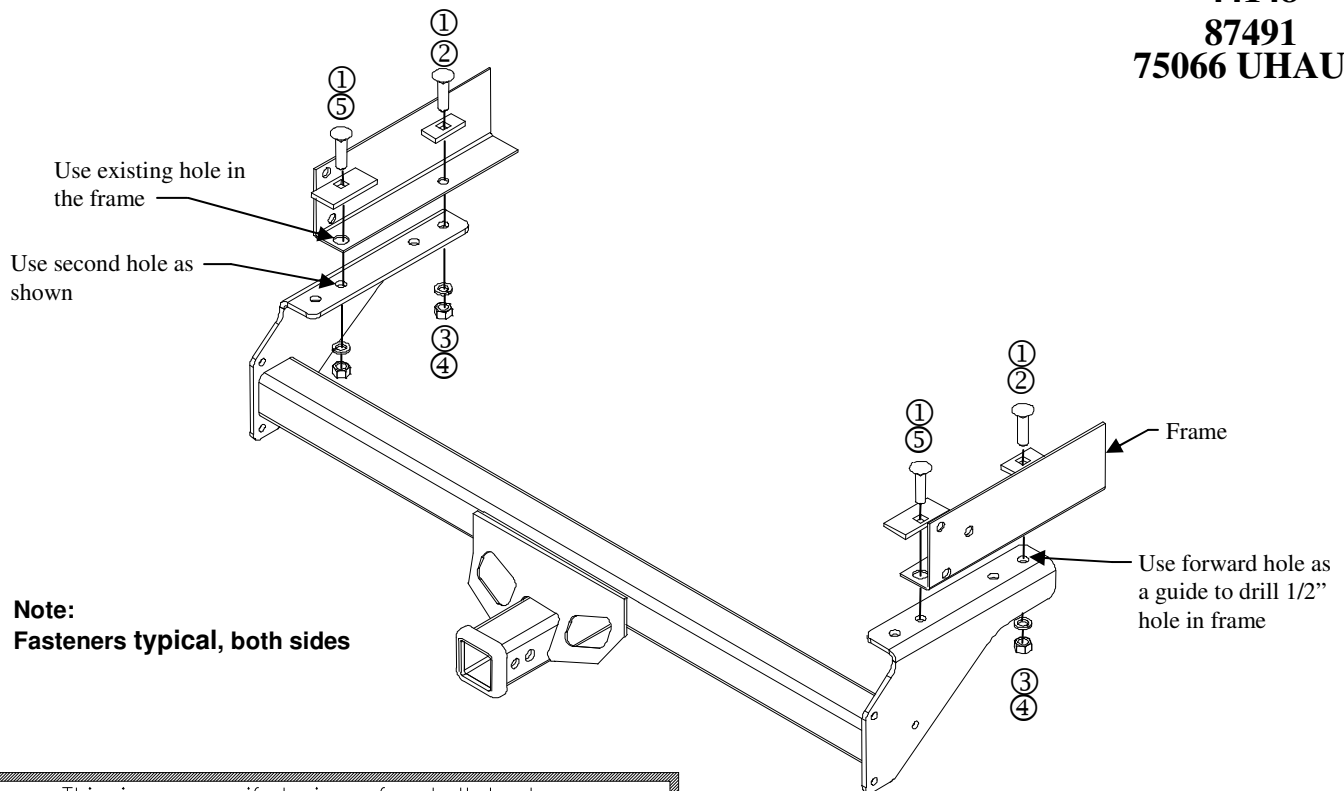
Note: check hitch frequently, making sure all fasteners and ball are properly tightened. If hitch is removed, plug all holes in trunk pan or other body panels to prevent entry of water and exhaust fumes. A hitch or ball which has been damaged should be removed and replaced. Observe safety precautions when working beneath a vehicle and wear eye protection. Do not cut access or attachment holes with a torch.

This product complies with safety specifications and requirements for connecting devices and towing systems of the state of New York, V.E.S.C. Regulation V-5 and SAE J684.

Installation Instructions

Nissan Pick-Up

Part Numbers:
75186
44148
87491
75066 UHAUL



Note:
Fasteners typical, both sides

This is a magnified view of a bolt leader
 Ceci est une agrandie d'un guide pour boulon
 Esta es una vista magnificada de un lider de pernos

①	Qty. (4)	Carriage Bolt 1/2-13 X 2.00	④	Qty. (8)	Hex Nut 1/2-13
②	Qty. (2)	Block .25 X 1.00 X 2.00	⑤	Qty. (2)	Block .25 X 1.500 X 3.00
③	Qty. (8)	Lock Washer 1/2"		Qty. (4)	Bolt Leader

MODELS WITH 56" BED USE THIS DIAGRAM (See page one for models with 75" bed.)

1. Remove the bolt from the bottom of the frame on both sides of the vehicle. Insert 1/2" carriage bolt and large bolt plate through large rear hole in the frame. Bolt leaders may be used to assist installation. Repeat for the other side.
2. Lift the hitch up to the frame with the carriage bolts going down through the second hole from rear in the hitch bracket. Install 1/2" lock washers and 1/2" nuts on the bolts. See the diagram above.
3. Using the front hole in the bracket as a guide, drill a 1/2" hole in the frame. Insert a 1/2" carriage bolt with a small bolt plate down through the frame and the hitch bracket. Bolt leaders may be used to assist installation. Install a 1/2" lock washer and 1/2" nut on the bolt. Repeat for the other side. See the diagram above.

NOTE: The above installation can be used for models with 75" beds, but longer ball mounts and weight distributing shanks will be required.

Tighten all 1/2" fasteners with torque wrench to 70 Lb.-Ft. (102 N*M)

Note: check hitch frequently, making sure all fasteners and ball are properly tightened. If hitch is removed, plug all holes in trunk pan or other body panels to prevent entry of water and exhaust fumes. A hitch or ball which has been damaged should be removed and replaced. Observe safety precautions when working beneath a vehicle and wear eye protection. Do not cut access or attachment holes with a torch.

This product complies with safety specifications and requirements for connecting devices and towing systems of the state of New York, V.E.S.C. Regulation V-5 and SAE J684.