

Please take time to read and understand these installation instructions.

WARNING: dB Mufflers are **NOT** universal mufflers. dB Mufflers are designed and acoustically approved for specific vehicle and engine configurations. Use of dB Mufflers for applications other than CORSA's specific recommendation may result in an unsatisfactory sound. dB Mufflers are designed with specific inlet and outlet configurations. Installing the outlet side of the muffler to the inlet pipe may result in an unsatisfactory sound.

Bill of Materials: (1) Muffler Assembly

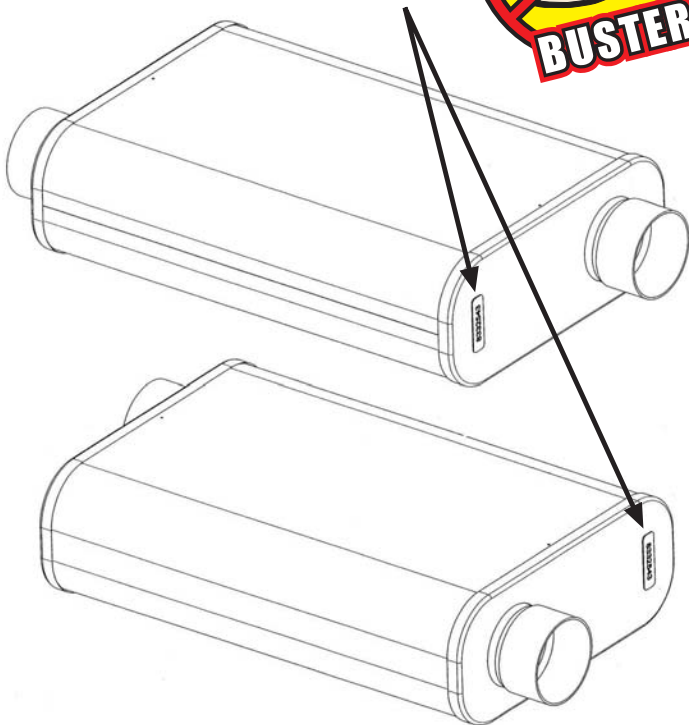
Inlet and outlet of muffler are sized to accommodate the outside diameter of pipe listed.

NOTE: Muffler has drain holes on both sides to evacuate condensation.

CORSA recommends that installation of this system be performed by a qualified service center or professional muffler installer who has the necessary equipment, tools and experienced personnel. However, if you decide to perform this install, the use of a hoist and an additional person will be required.

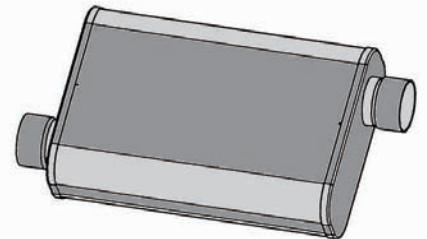
CAUTION: Never work on a hot exhaust system. Allow time for the vehicle to cool. Always wear eye protection when working under a vehicle.

END CAP WITH TAG ID NUMBER INDICATES INLET SIDE OF MUFFLER



Offset In / Offset Out / Opposite Sides

2.25" PN 8332453
2.50" PN 8332553



2.25" PN 8332443
2.50" PN 8332543

Offset / Offset / Same Side

2.25" PN 8332454
2.50" PN 8332554

2.25" PN 8332444
2.50" PN 8332544

